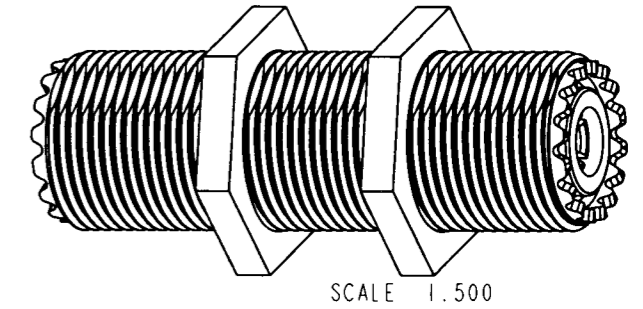
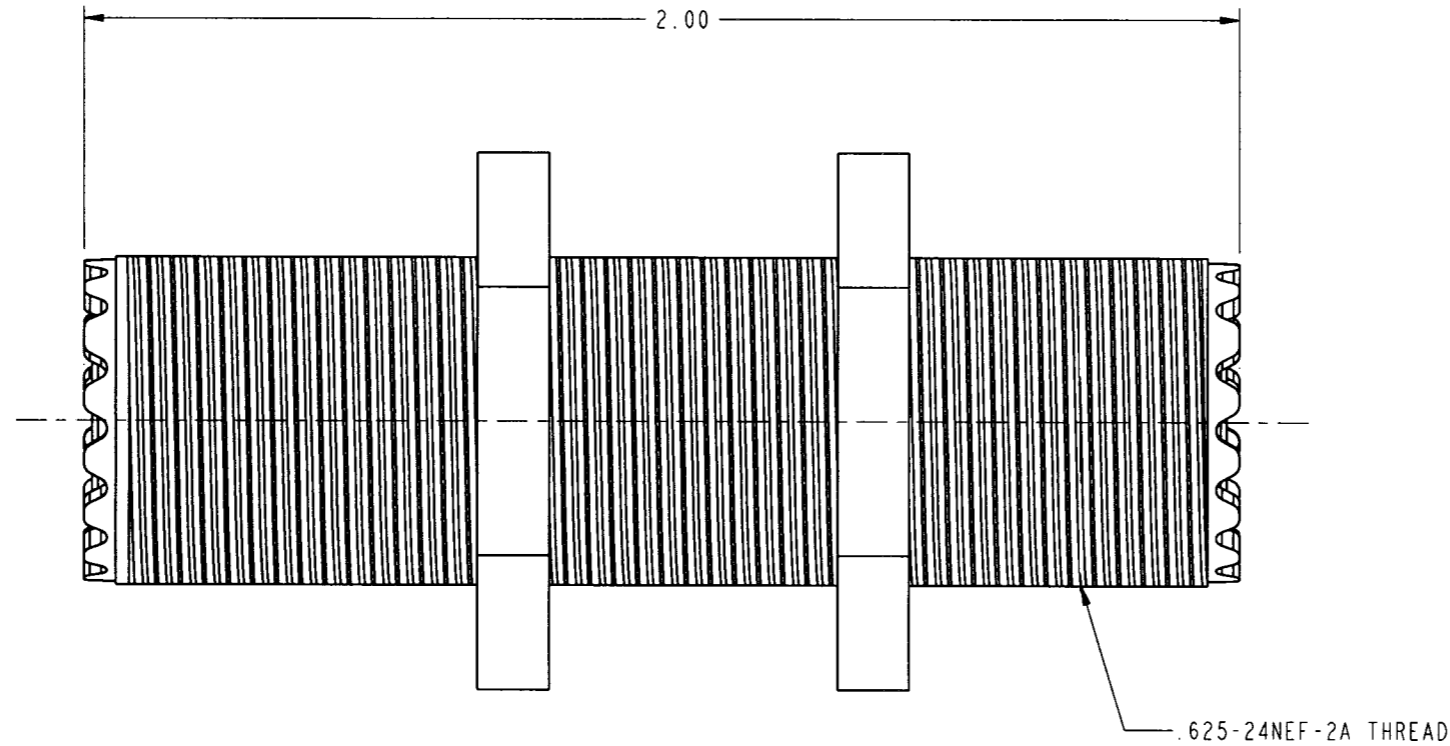


NOTES:

- 1. MATERIALS OF CONSTRUCTION:
- BODY = ZINC ALLOY, NICKEL PLATED
- NUTS = ALUMINUM, NICKEL PLATED
- CONTACT = BRASS, SILVER PLATED
- INSULATORS = POLYSTYRENE
- GASKETS = SILASTIC 6526
- RETAINING RING = PHOSPHOR BRONZE, NICKEL PLATED

83-1F		REVISIONS			
DRAWING NO.	REV	DESCRIPTION	DATE	ECO	APPR
THIRD ANGLE PROJ.	--	RELEASE TO MFG.			
	AB	ADD SHEET 2	2/18/00	43266	CPM



CUSTOMER OUTLINE DRAWING  
FOR REFERENCE ONLY

<p>UNLESS OTHERWISE SPECIFIED, DIMENSIONS ARE IN INCHES AND TOLERANCES ARE:</p> <table style="width: 100%; border: none;"> <tr> <td style="width: 33%;">2 PLACE DECIMAL</td> <td style="width: 33%;">3 PLACE DECIMAL</td> <td style="width: 33%;">ANGLES</td> </tr> <tr> <td>±.015 (0,381 mm)</td> <td>±.005 (0,127 mm)</td> <td>± 1°</td> </tr> </table>	2 PLACE DECIMAL	3 PLACE DECIMAL	ANGLES	±.015 (0,381 mm)	±.005 (0,127 mm)	± 1°	MATERIAL	DRAWN C. McGRATH DATE 08-Feb-00	TITLE UHF JACK TO JACK ADAPTER FOR UG-363/U CABLE	Amphenol Amphenol Corporation Communication and Network Products Division Danbury, CT U.S.A. 06810
	2 PLACE DECIMAL	3 PLACE DECIMAL	ANGLES							
±.015 (0,381 mm)	±.005 (0,127 mm)	± 1°								
NOTICE - These drawings, specifications, or other data (1) are, and remain the property of Amphenol Corp. (2) must be returned upon request; and (3) are confidential and not to be disclosed to any person other than those to whom they are given by Amphenol Corp. The furnishing of these drawings, specifications, or other data by Amphenol Corp., or to any other person to anyone for any purpose is not to be regarded by implication or otherwise in any manner licensing, granting rights or permitting such holder or any other person to manufacture, use or sell any product, process or design, patented or otherwise, that may in any way be related to or disclosed by said drawings, specifications, or other data.	REFERENCE GEN# ASSY2_UHF	ENGINEER T. AUBIN DATE 08-Feb-00								
		APPROVED  DATE 2/16/00	CODE ID 74868	DWG SIZE B	DRAWING NO. 83-1F	SCALE: 3.0:1 SHEET 2 OF 2	REV AB			